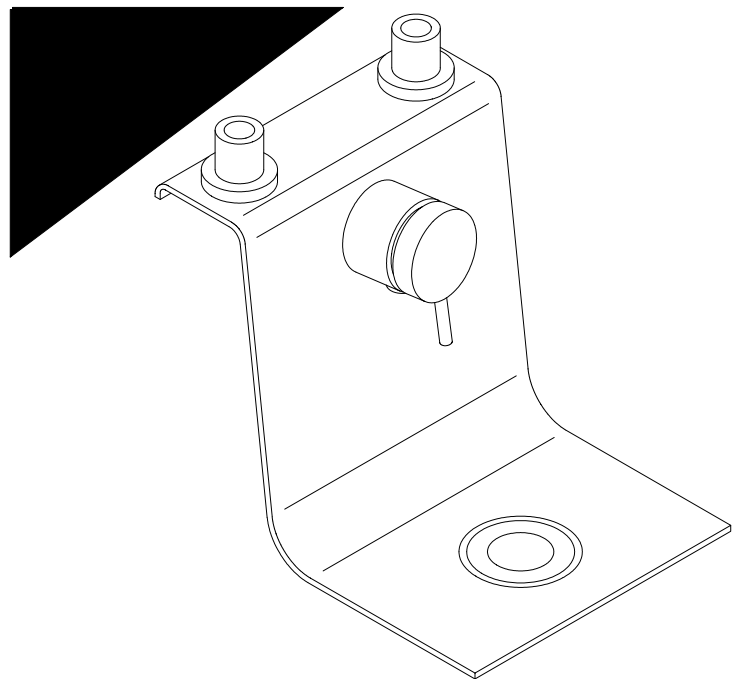


**Fitting guide for Freeflow Bath Filler
with Pop-Up Waste & Overflow**



**Consult a qualified plumber if you
have any problems installing this product.**



Helpline

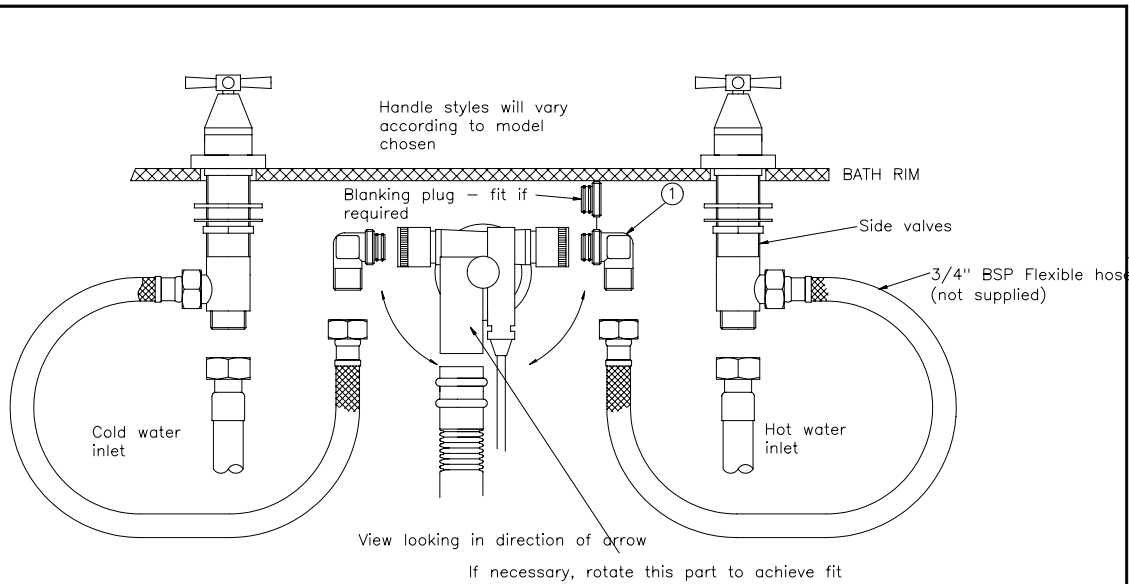
01282 446789

**Consult a qualified plumber if you
have any problems installing this product.**



Brassware Helpline:- 01282 446789

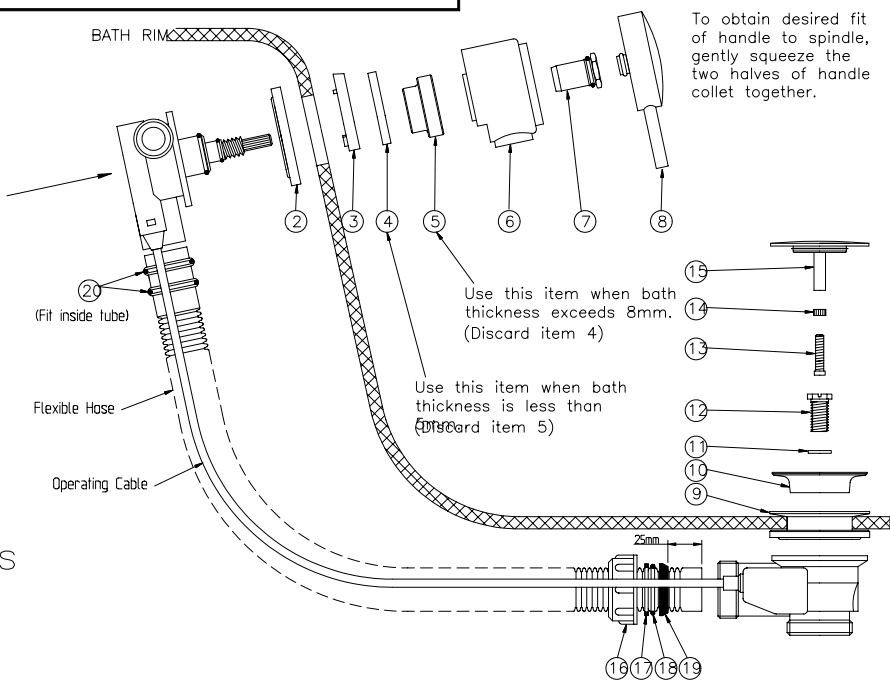
The Company reserves the right to continually evolve its product line without notification. The Company will not accept any liability regarding specification changes and their consequences unless previously quoted by the Company in writing.



Please note: The side valves and 3/4" hoses are not supplied with this product, but illustration shows the installation arrangement when valves and hoses are purchased separately.

Please note we strongly recommend the fitting of check valves in the supply pipework to prevent back siphoning of foul water into the domestic water system

- 1 - Inlet elbow (2)
- 2 - Flat grey washer
- 3 - Chrome 'C' spacer (fit in hole in bath)
- 4 - White 'C' spacer (for thin baths)
- 5 - Thick bath adaptor
- 6 - Water outlet
- 7 - Threaded locking bush
- 8 - Pop-up waste operating handle
- 9 - Double rubber sealing washer
- 10 - Waste grid
- 11 - Spacer (optional)
- 12 - Waste screw
- 13 - Plug height adjusting screw
- 14 - Locknut
- 15 - Plug
- 16 - Locking ring (hand tighten only)
- 17 - Nylon washer
- 18 - O ring
- 19 - Conical rubber seal
- 20 - O ring (2) fit inside pipe



E358 Fitting instructions